

Glue Mixing Equipment DYNAMIX L



Applications

Universal mixer for the automatic supply of glue spreaders with a glue mixture consisting of liquid adhesive with liquid hardener for use in the manufacture of furniture, doors, plywood, boards, parquet, etc.

The mixing process is effected directly via the glue spreader. As a result, extremely reactive glue mixtures can be used. At the same time, cleaning work is minimised.

Technical features

Compact dosing unit for resin and hardener combined with the control cabinet and operator's control cubicle

PLC control, operator panel with text display

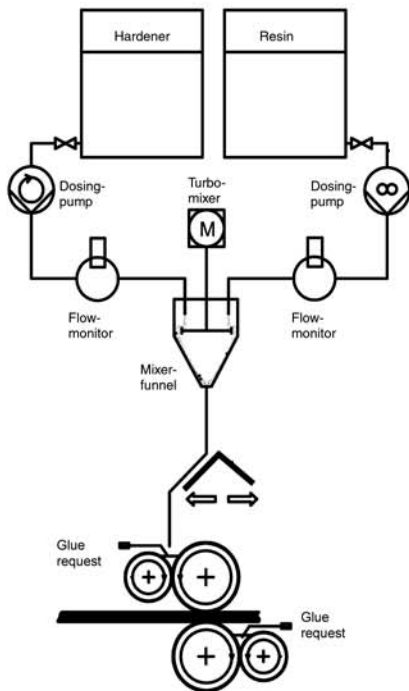
Resin dosing with gear pump, hardener dosing with electronically controllable hose pump

Dosing lines for resin and hardener from the dosing unit to the mixing unit



Dynamic Mixer

Accessories



Function scheme

Separate mixing unit directly by the glue consumer, optionally as a dynamic mixer with stainless steel mixing funnel and disperser. Therefore no mixture storage, free-flow glue blend distribution

Clamping lever, clamping bush and caps for mixing head as a quick cleaning unit

Automatic refilling of roller coaters through feed channel, cross piece and stainless steel distribution channels

Intermediate storage vessels with level monitoring to avoid lack of material. Enables decentralized placing of the raw material containers

Automatic refilling of materials by means of transfer pumps

Magnetic inductive dosing monitoring for hardener and optional for resin

Glue cooling system for reactive resin systems

Glue consumption counter

Data logging device for operating data and system messages

Networking via bus systems with other controllers and host computers

Pillar stand with swivel arm for dynamic mixer and consumer filling unit with height and length adjustment

Technical Data

Glue output	approx. 50 to 500 kg/hr, depending on requirements and formula
Glue accuracy	± 1-3 %, depending on the product
Power supply	400 V AC / 50 Hz with neutral conductor Connected load approx. 1.0 kW



Dynamic mixer above roller coater



EPI-machine with intermediate storage vessels and dosing monitoring by sonar sensors



PROTECH
INTERNATIONAL

We are your service!

Phone: 704-321-5500 Fax: 704-321-5507
<http://www.protech-international.com>

5521 Cannon Drive
Suite 102
Monroe, NC 28110
Phone: (704) 296-9600
Fax: (704) 296-9601

